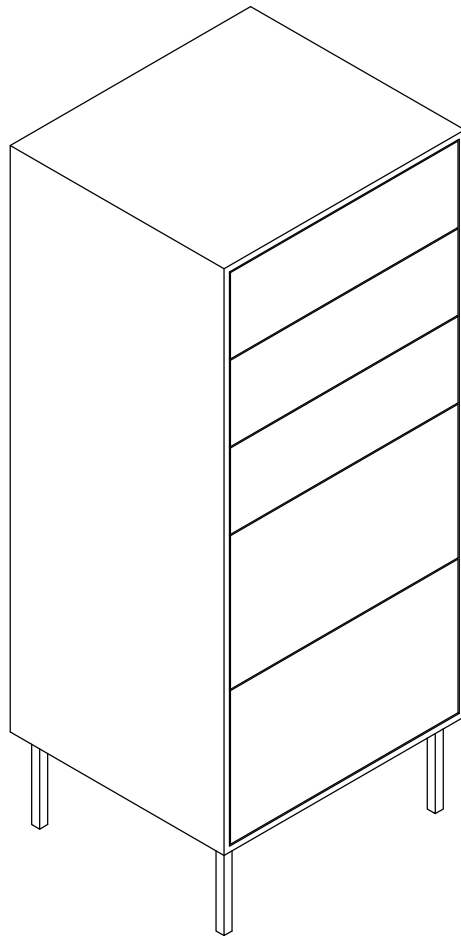
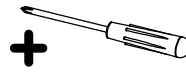
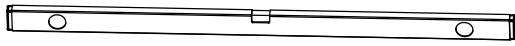


ELMA

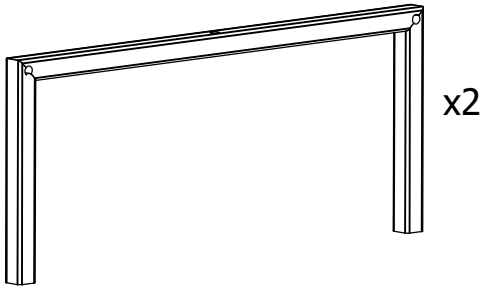
Drawer unit type 1



W450x D350 x H110
(5 drawers)



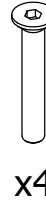
1



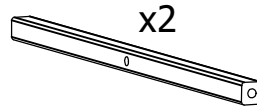
M6 x 12



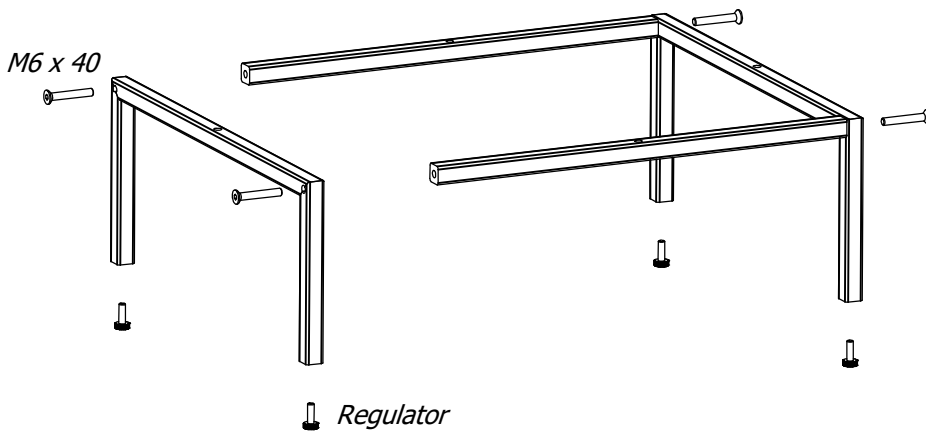
M6 x 40



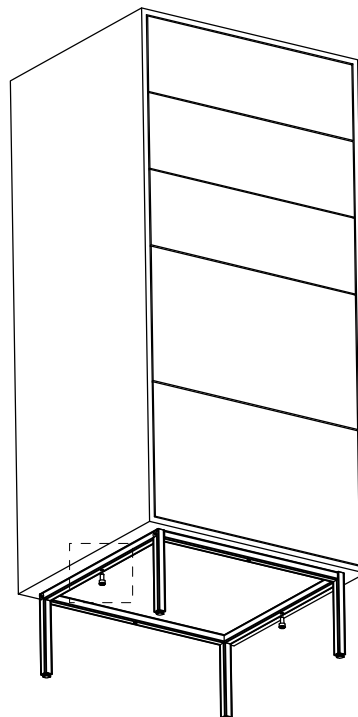
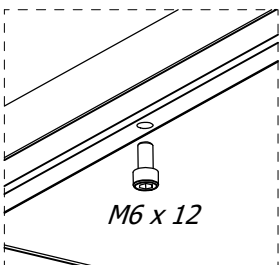
Regulator



2



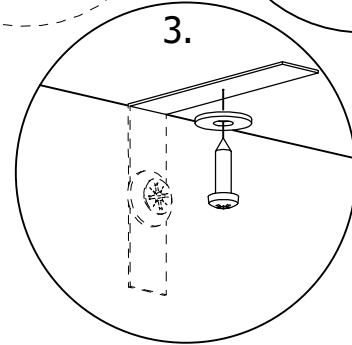
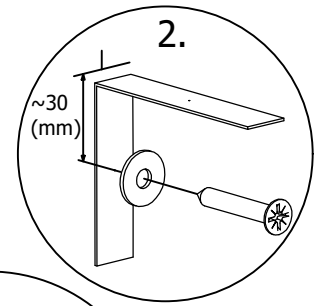
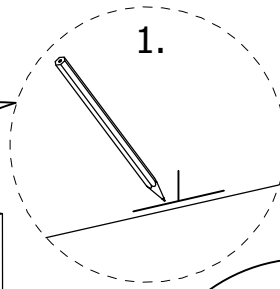
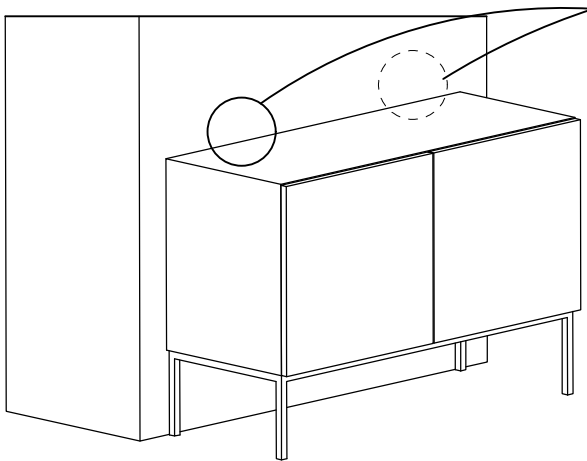
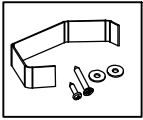
3



4



Attention!
Connect unit to
the wall for
safety reasons
with connecting
stripe.



5

