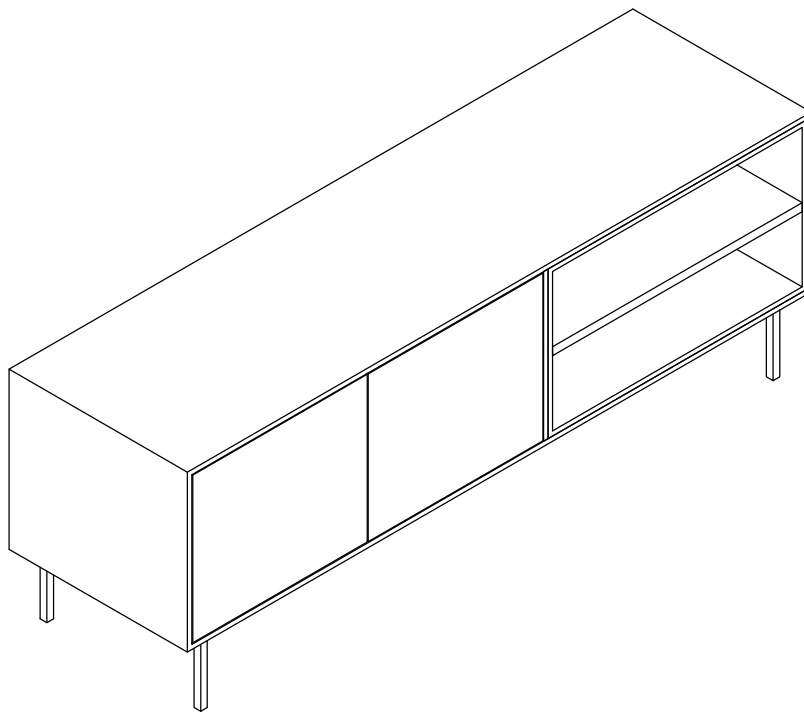


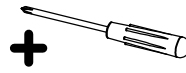
ELMA

TV unit

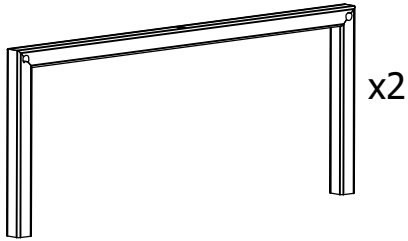


W1400 x D400 x H500

(2 doors / 1 open shelf)



1

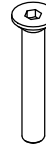


M6 x 12



x6

M6 x 40

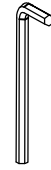


x4

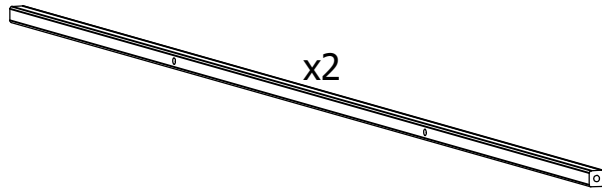
Regulator



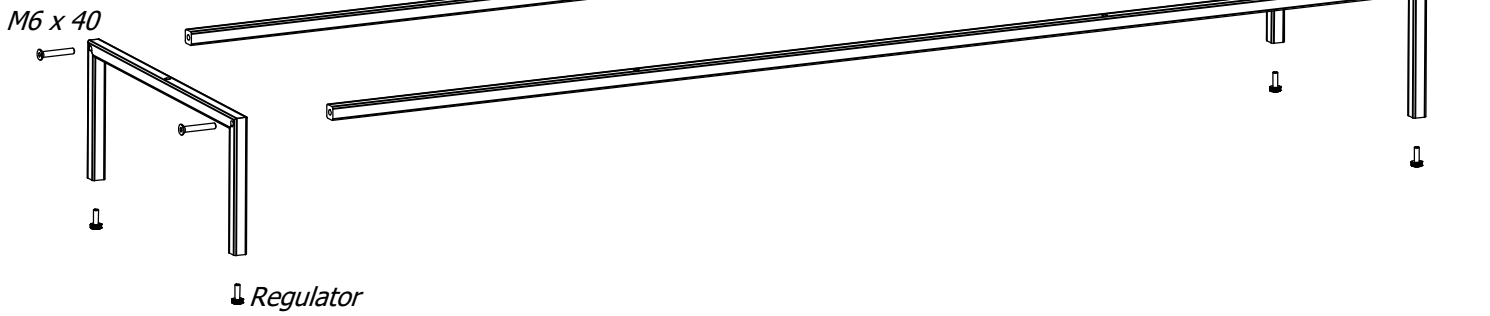
x4



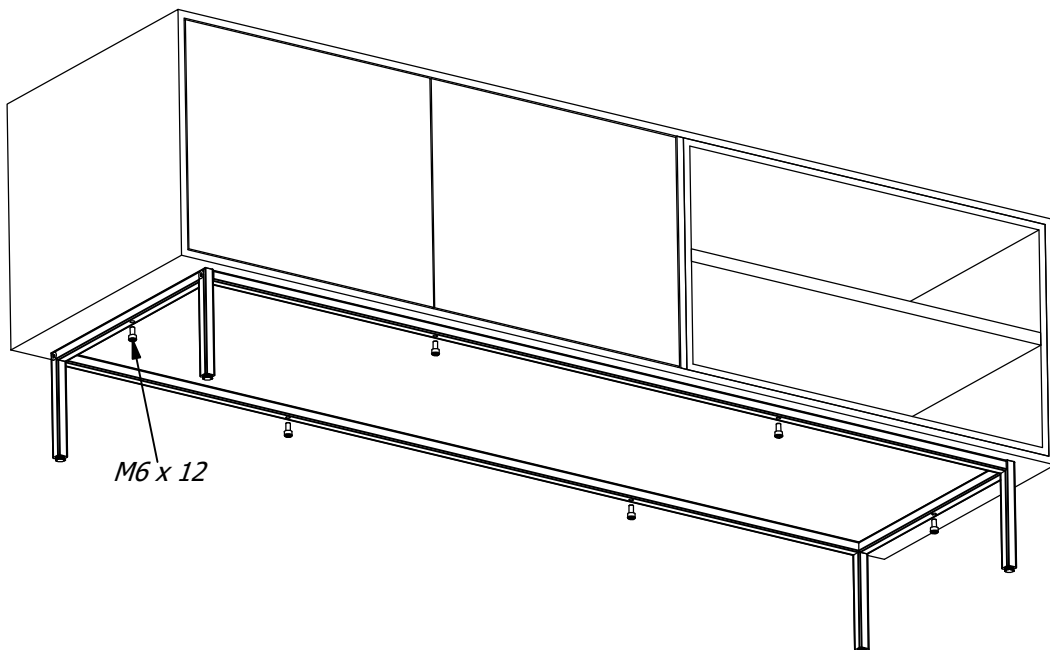
x2



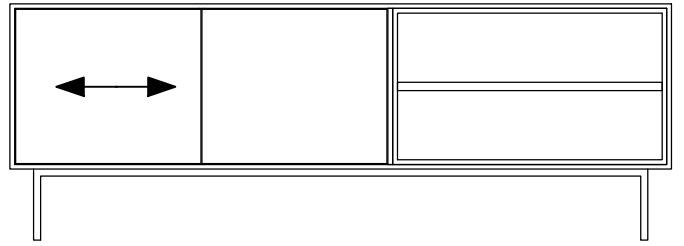
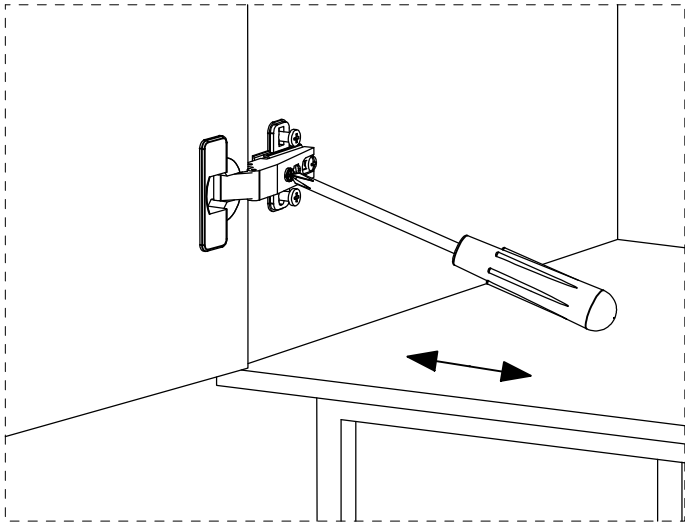
2



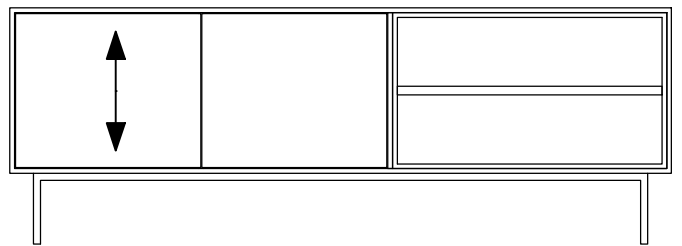
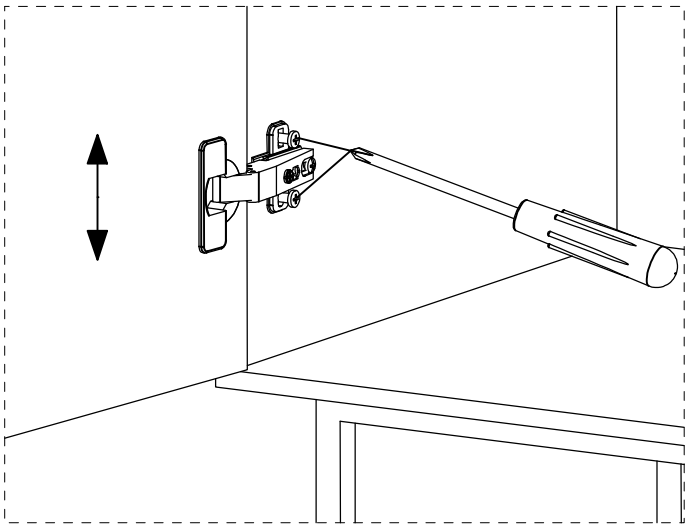
3



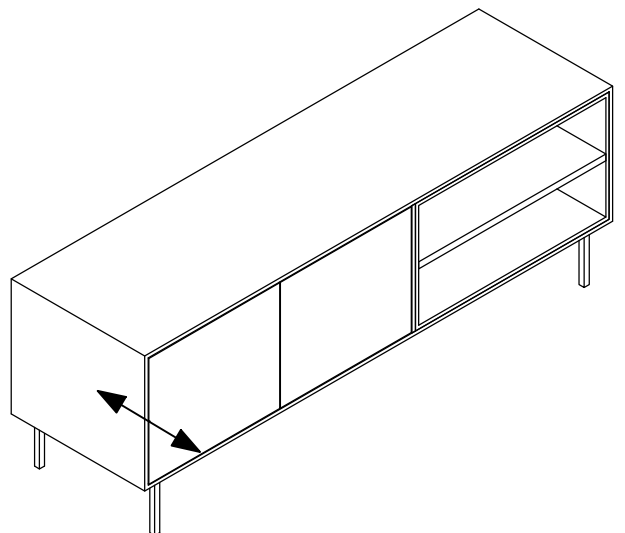
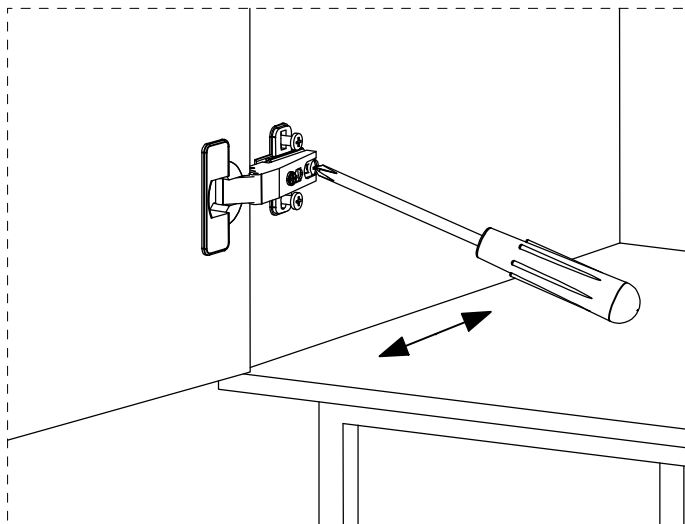
4



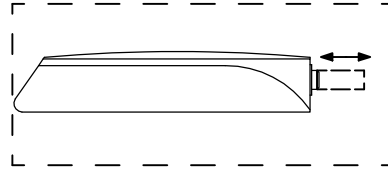
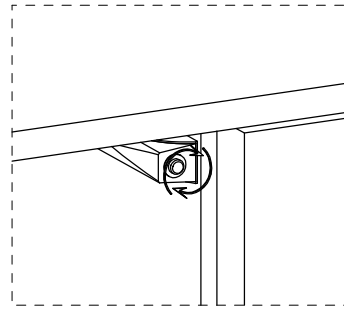
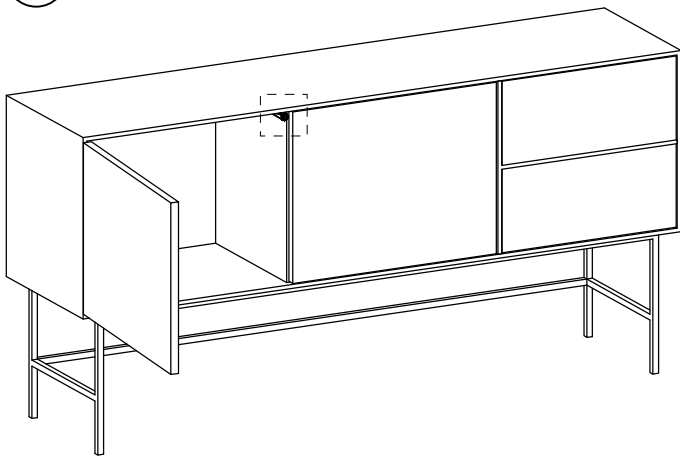
5



6



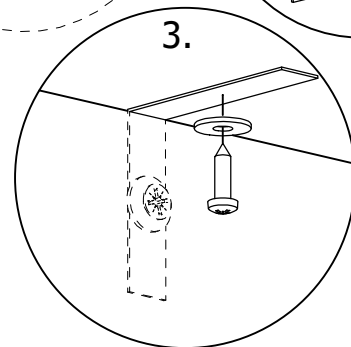
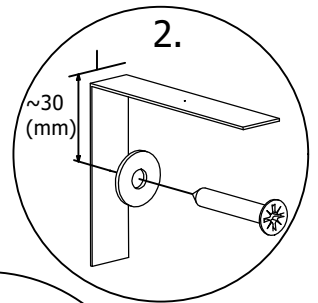
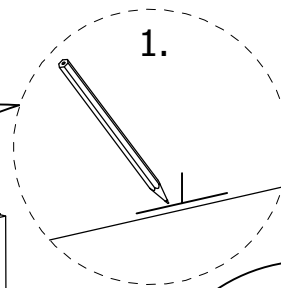
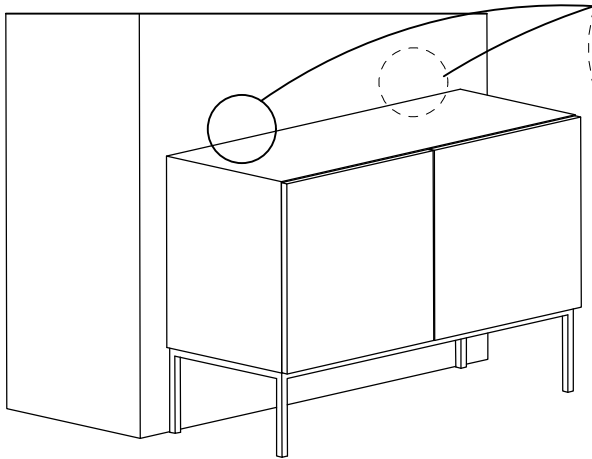
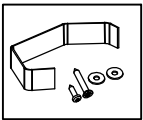
7



8



Attention!
Connect unit to
the wall for
safety reasons
with connecting
stripe.



9

