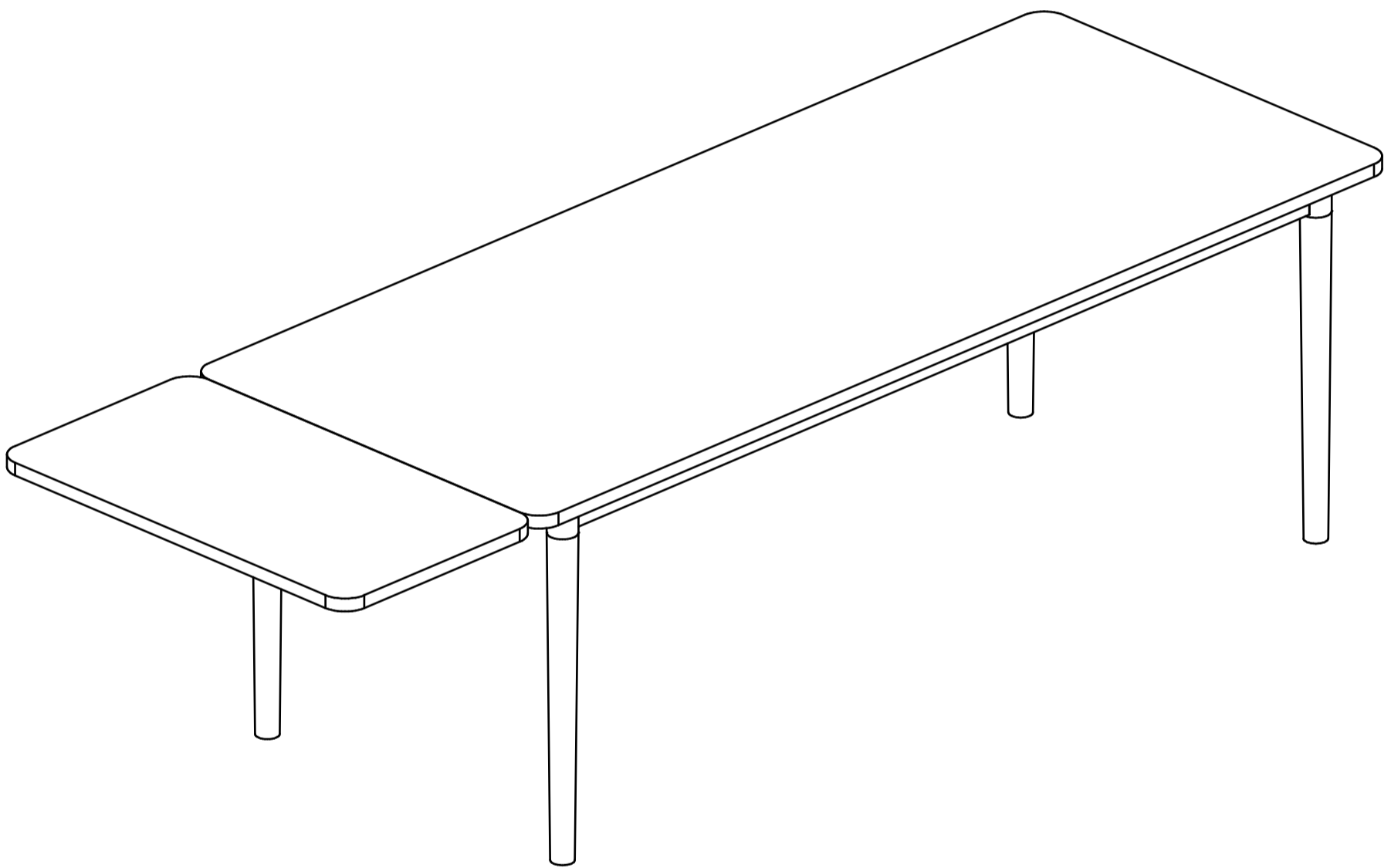


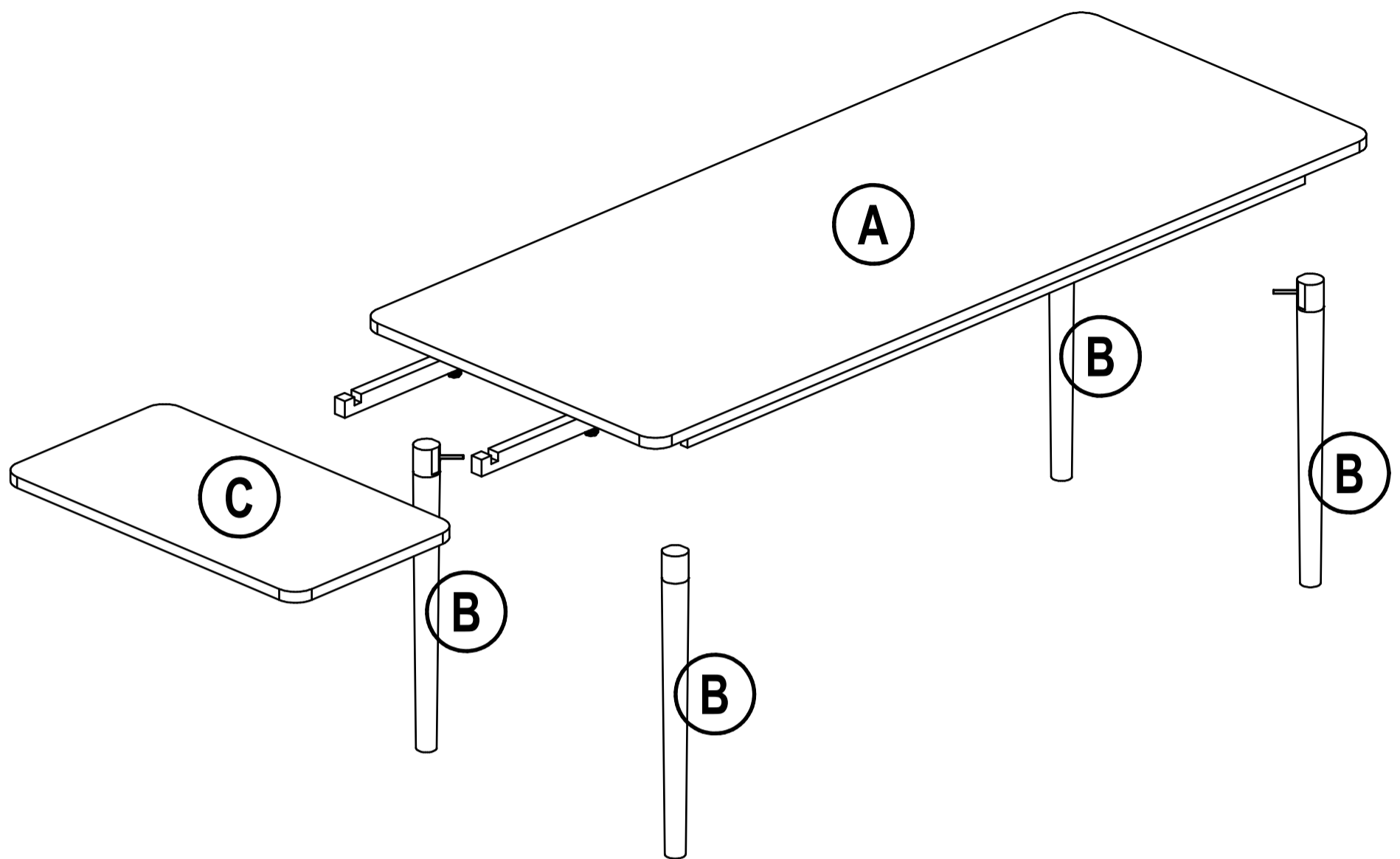
NEA

Dining Table



2200 x 900 x 750 mm

PARTS:

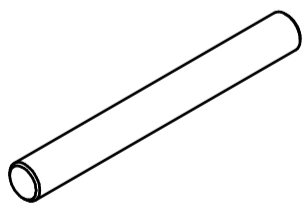


REQUIRED:



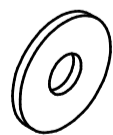
FITTINGS:

01 / x4



M8x70

02 / x4



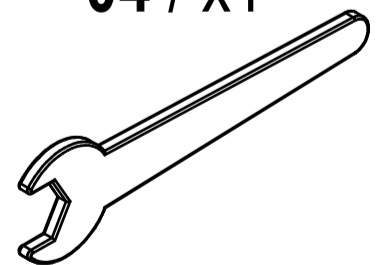
DIN9021-M8

03 / x4



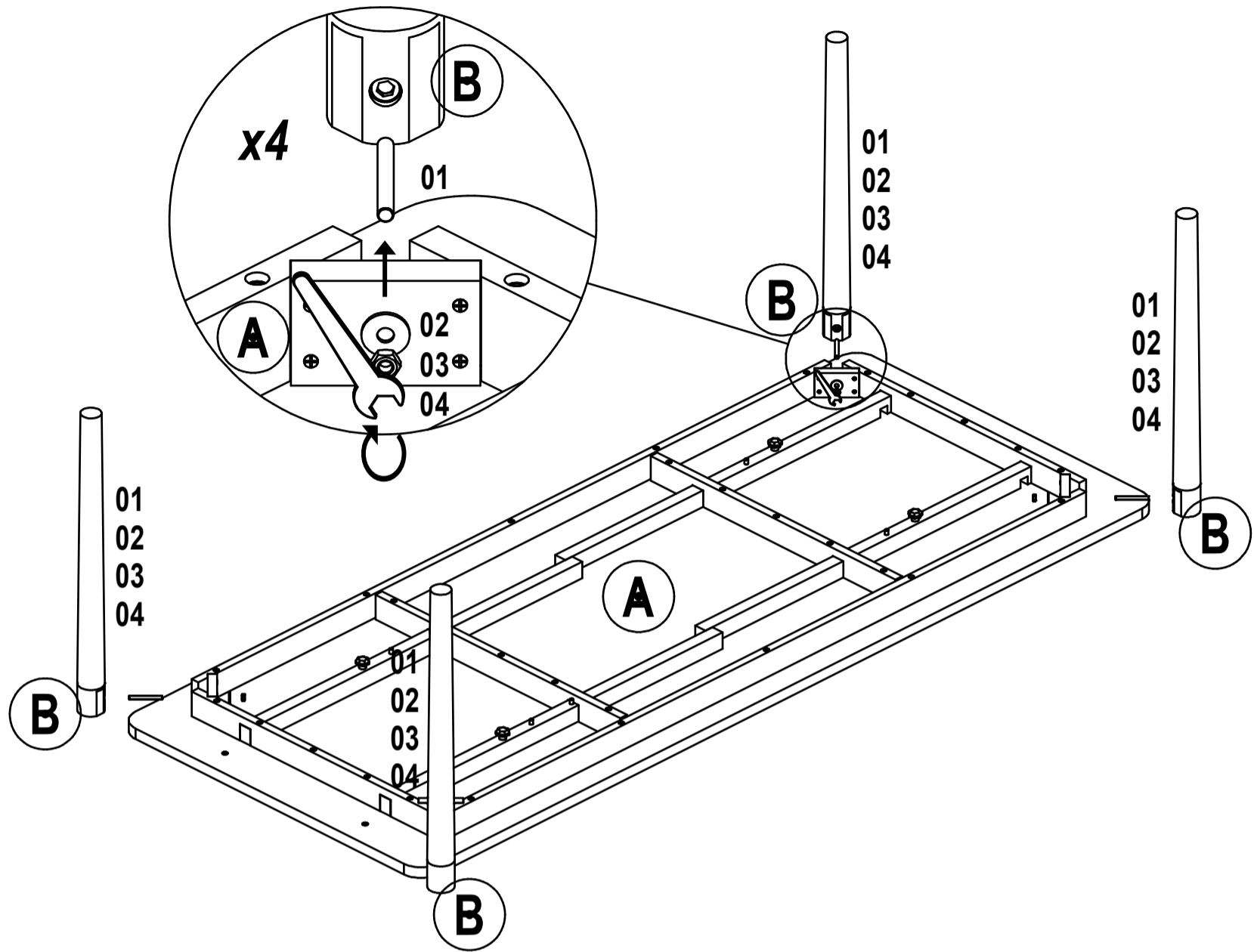
DIN934-M8

04 / x1

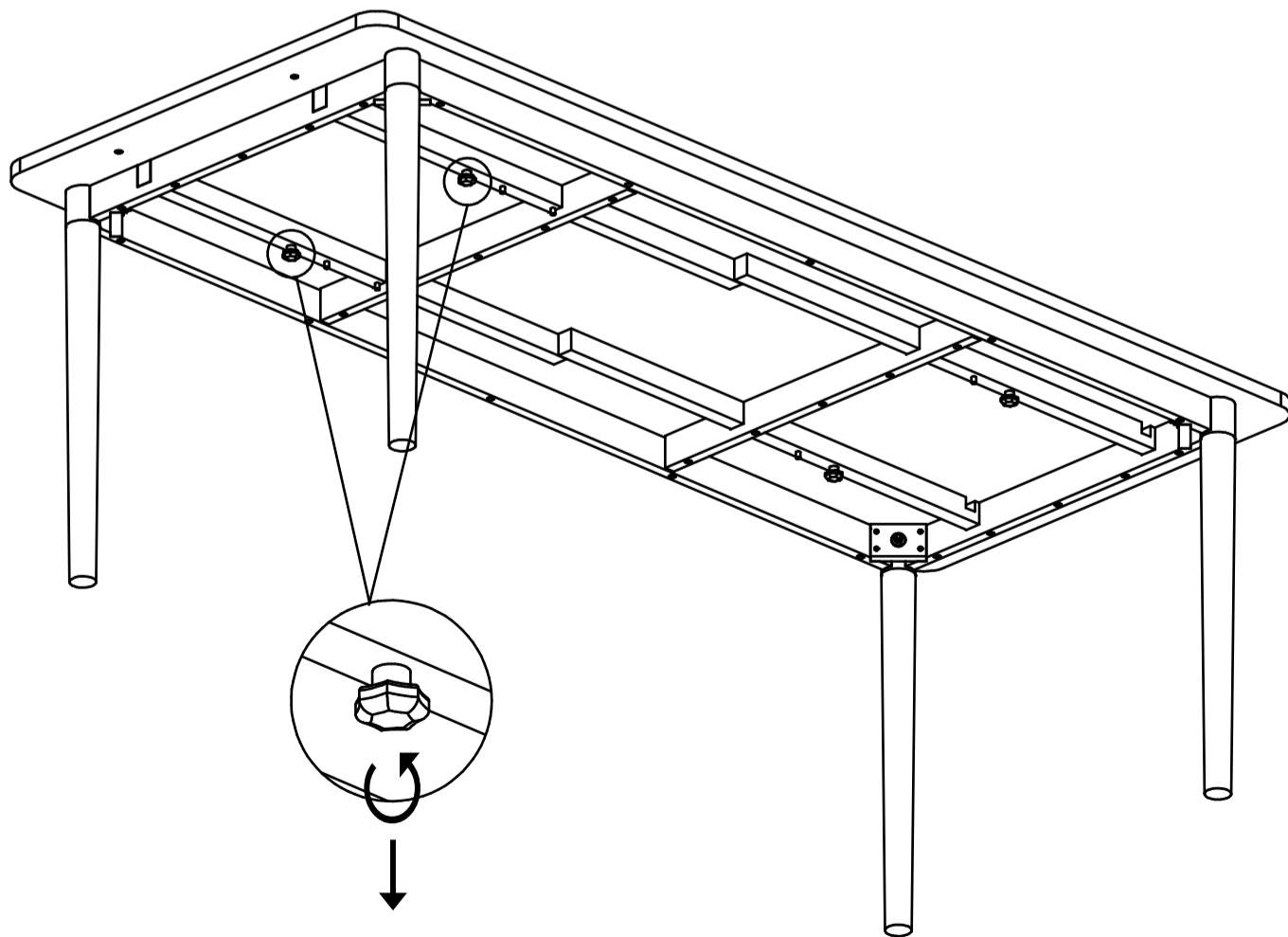


Ø13

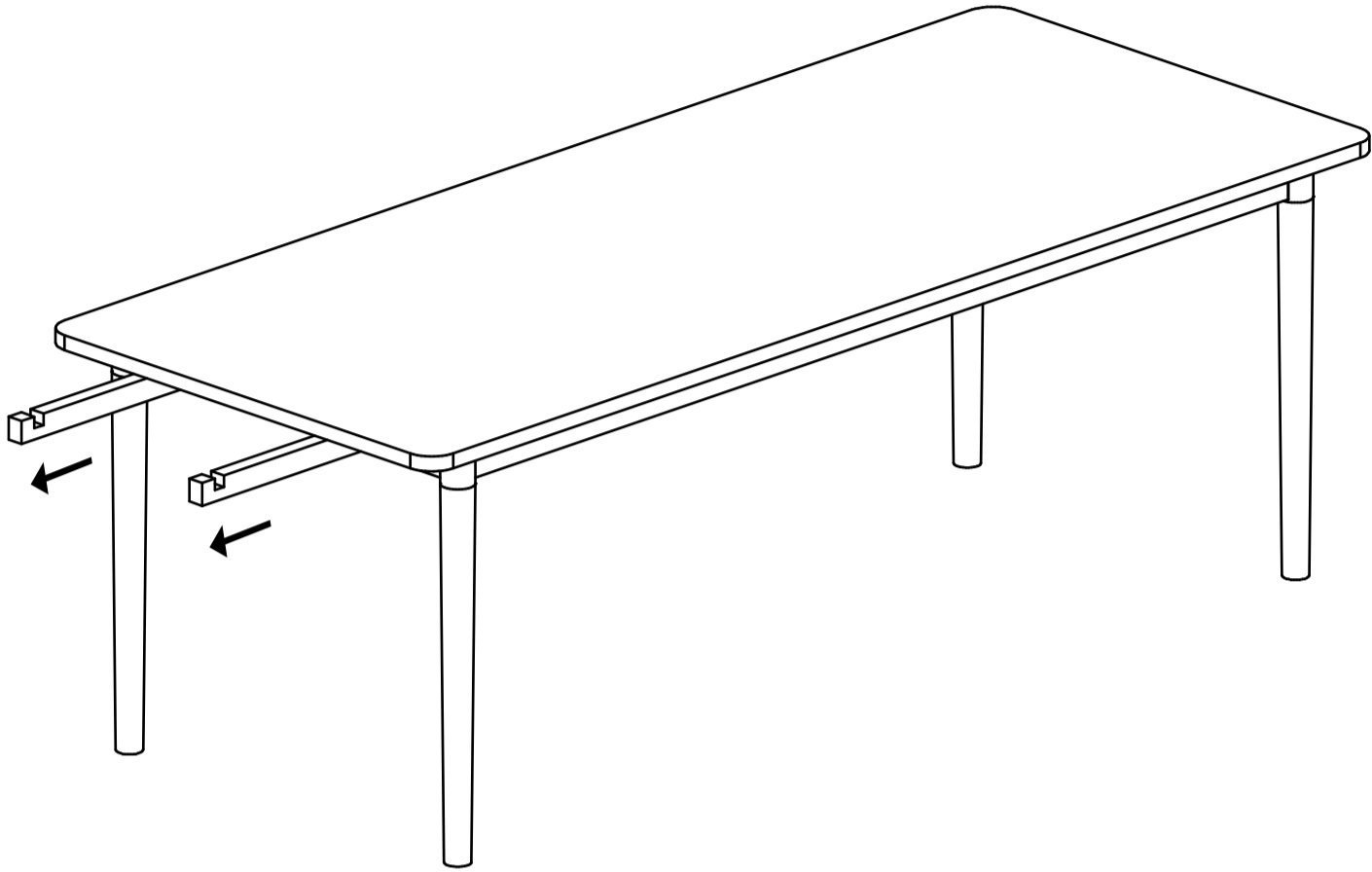
1



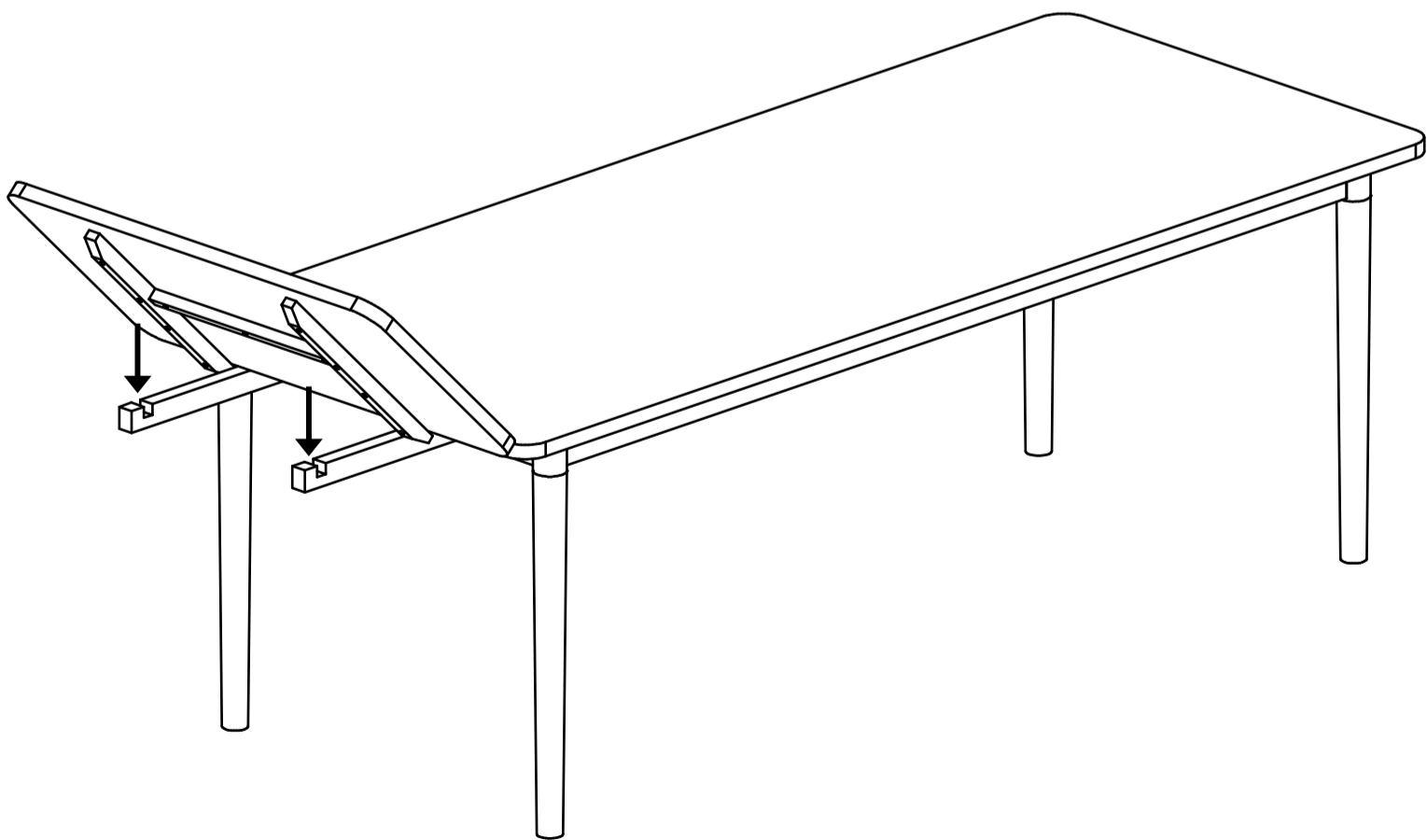
2



3



4



5

